

BLOCKS

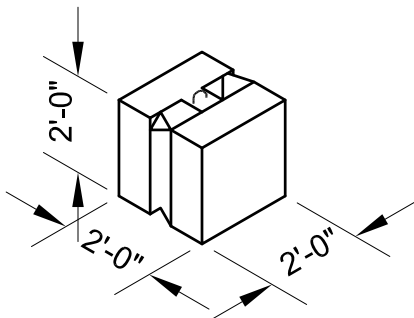


PALLETTE STONE CORP.

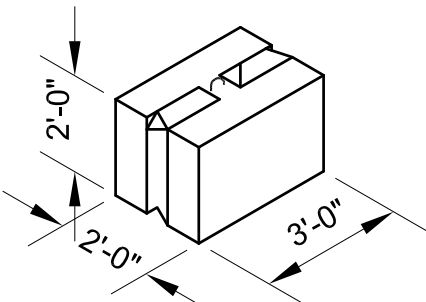
Precast Product Division | 373 Washington Street, Saratoga Springs, New York 12866

Phone: (518) 584-5891 | Fax (518) 584-2622 | www.dacollins.com

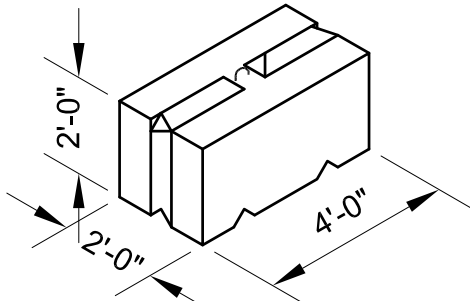
VERSATILE WALL BLOCKS



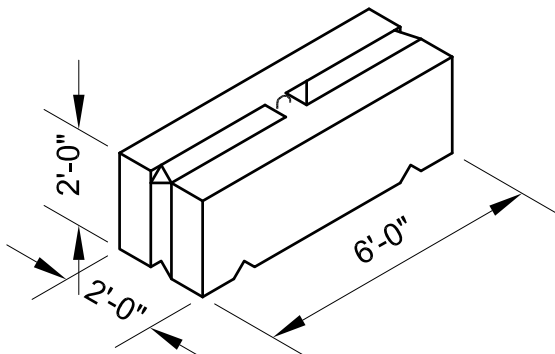
2FT BLOCK - 1,200 LBS



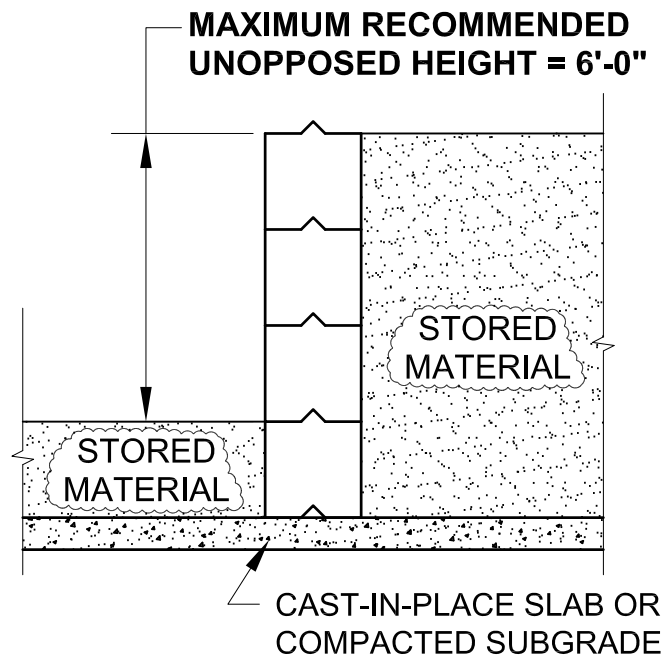
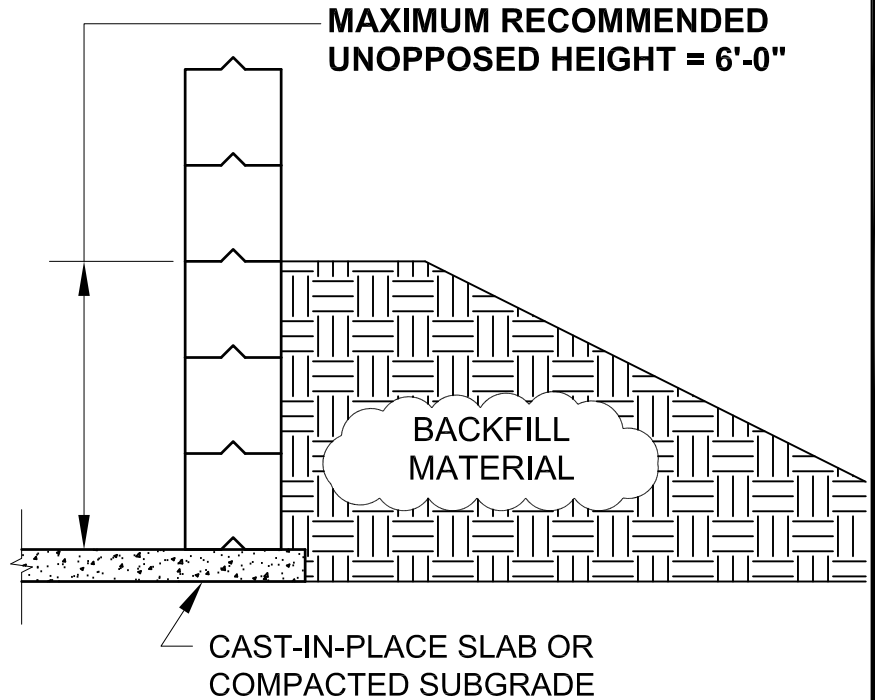
3FT BLOCK - 1,800 LBS



4FT BLOCK - 2,400 LBS



6FT BLOCK - 3,600 LBS



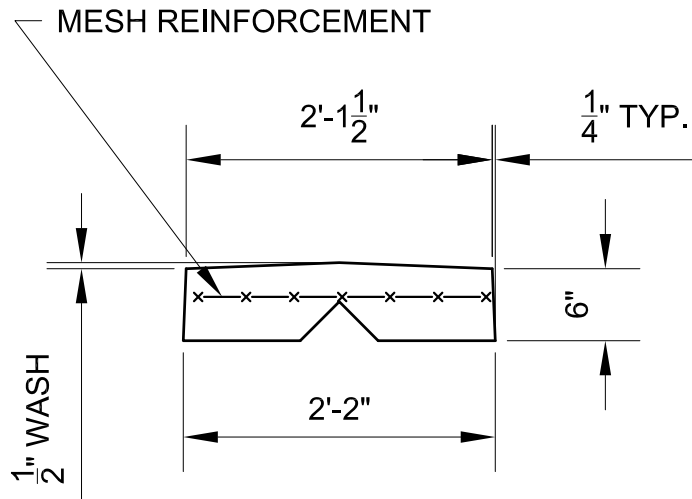
NOTE: PALLETTE STONE CORP. IS NOT RESPONSIBLE FOR SITE CONDITIONS AS THEY RELATE TO THESE PRODUCTS. IT IS THE CUSTOMER'S RESPONSIBILITY TO INSURE PROPER BEARING AND ADEQUATE DRAINAGE AND BACKFILL MATERIAL.

PALLETTE STONE CORP.

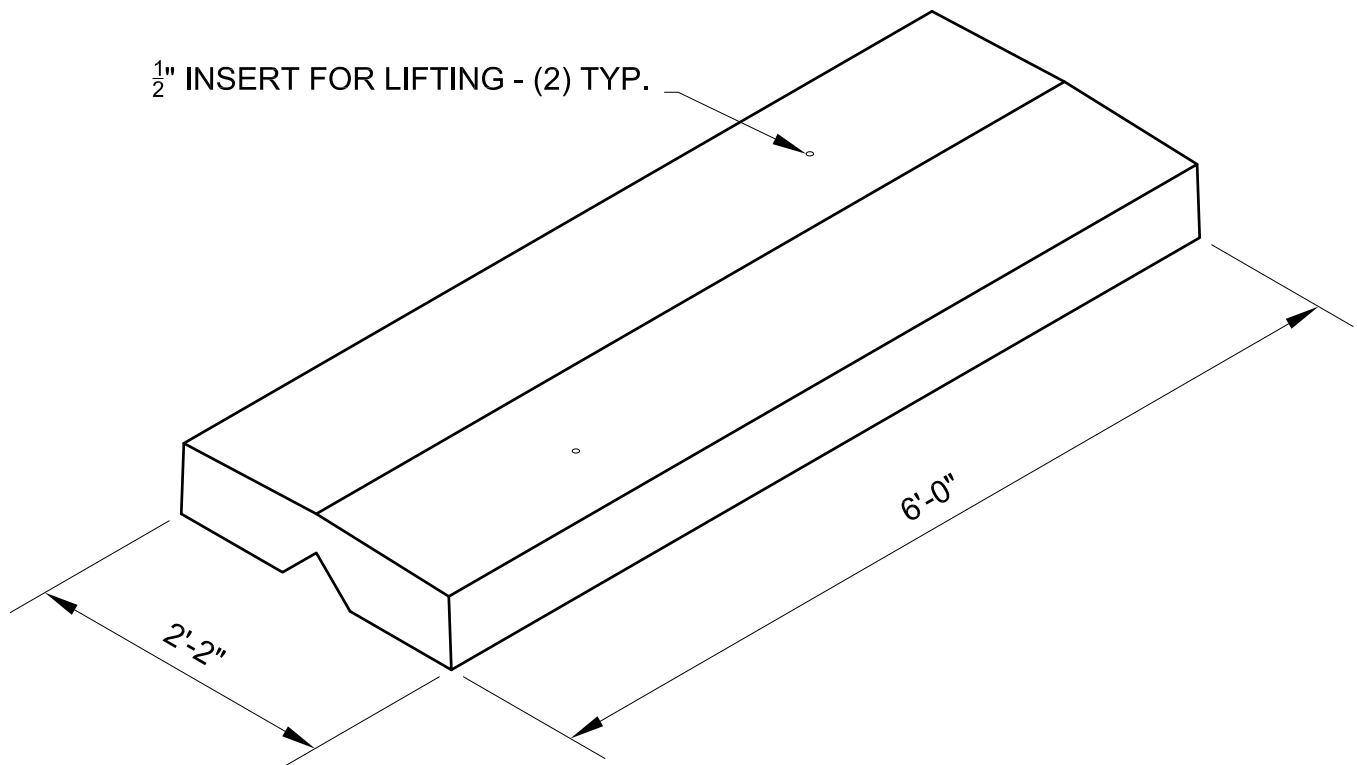
Precast Product Division | 373 Washington Street, Saratoga Springs, New York 12866

Phone: (518) 584-5891 | Fax (518) 584-2622 | www.dacollins.com

VERSATILE WALL BLOCK CAP



TYPICAL SECTION



ISOMETRIC VIEW - CAP